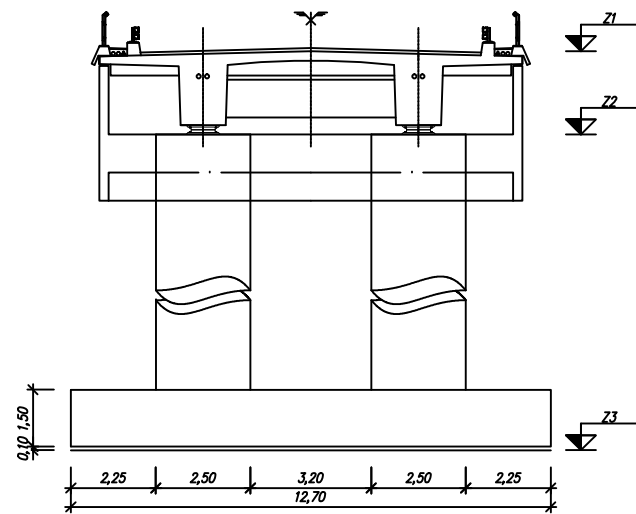
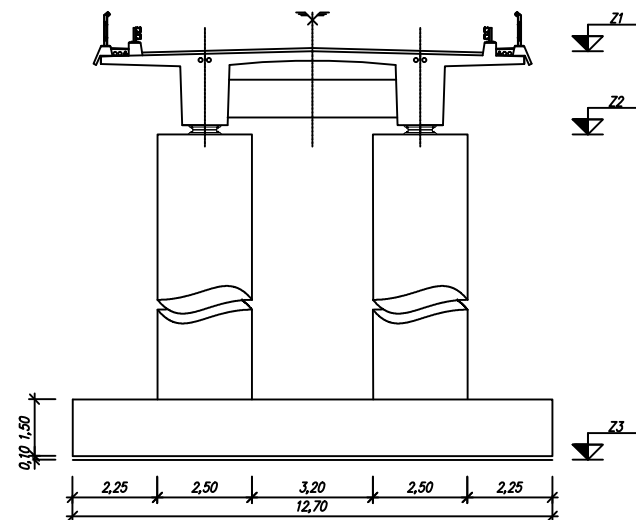


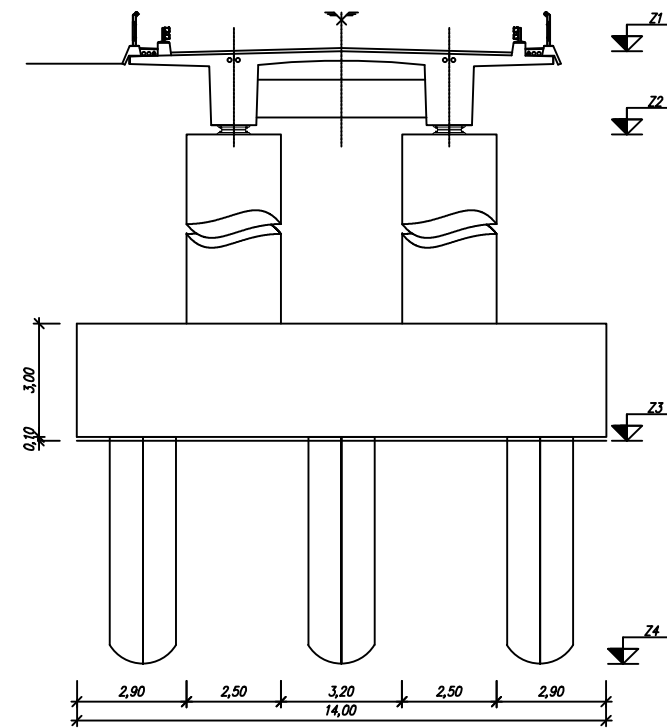
P1, P11 CROSS-SECTION (A1-1:100, A3-1:200)



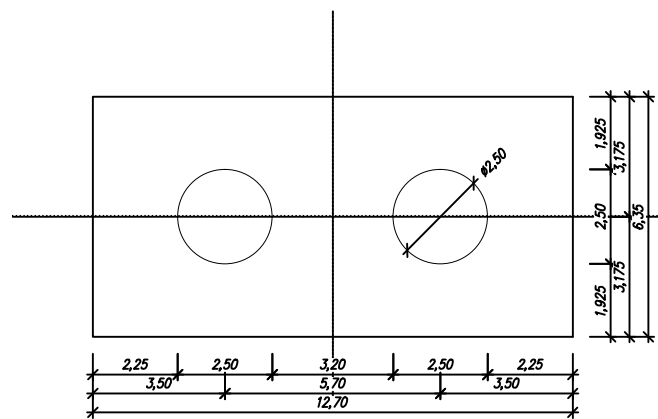
P2, P3, P9, P10 CROSS-SECTION (A1-1:100, A3-1:200)



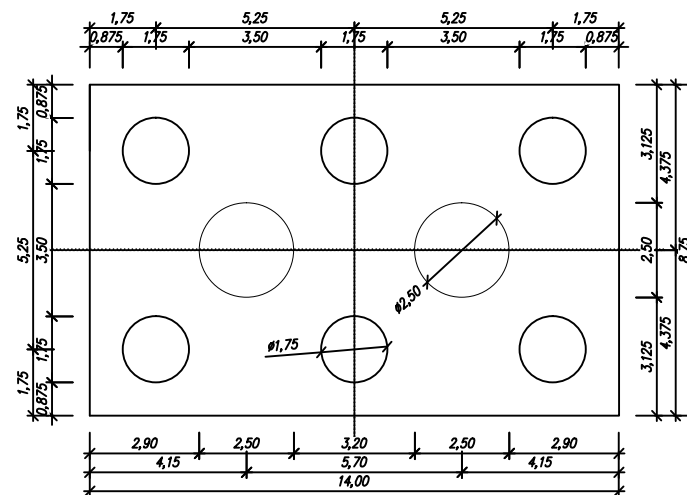
P4 TO P8 CROSS-SECTION (A1-1:100, A3-1:200)



P1, P2, P3, P9 P10, P11 FOUNDATIONS CROSS-SECTION (A1-1:100, A3-1:200)



P4 TO P8 FOUNDATIONS CROSS-SECTION (A1-1:100, A3-1:200)



BEARINGS ON PIERS P1 AND P11 (ABUTMENTS)

TYPE:	SLIDING POT-BEARINGS IN THE LONGITUDINAL DIRECTION	
QUANTITY:	4	
ACTIONS:	N	750 kN
	Δ_{max}^+	66 mm
	Δ_{max}^-	-11 mm
	H_y	24 kN

BEARINGS ON PIERS P2 TO P10

TYPE:	FIXED POT-BEARINGS	
QUANTITY:	18	
ACTIONS:		
	N	11602 kN
	H_L	225 kN
	H_T	62 kN

EXPANSION JOINTS

EXPANSION JOINTS MUST SUPPORT:	70 mm / -20 mm
PRECOMPRESSION:	90 mm

TABLE OF LEVELS

PIER	km	Z1	Z2	Z3	Z4
P1	0+918,13	164,79	162,58	153,07	-
P2	0+942,13	165,75	163,54	142,59	-
P3	0+972,13	166,95	164,74	136,31	
P4	1+002,13	168,15	165,94	132,16	123,45
P5	1+032,13	169,35	167,14	130,70	113,02
P6	1+062,13	170,55	168,34	126,21	102,70
P7	1+092,13	171,75	169,54	127,64	105,92
P8	1+122,13	172,95	170,74	133,66	123,09
P9	1+152,13	174,15	171,94	139,97	
P10	1+182,13	175,35	173,14	154,64	-
P11	1+206,13	176,31	174,10	163,89	-