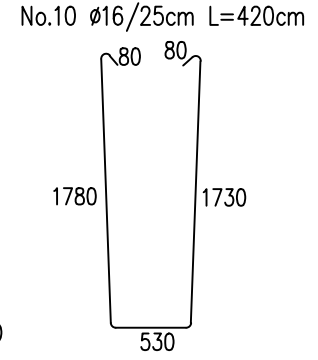
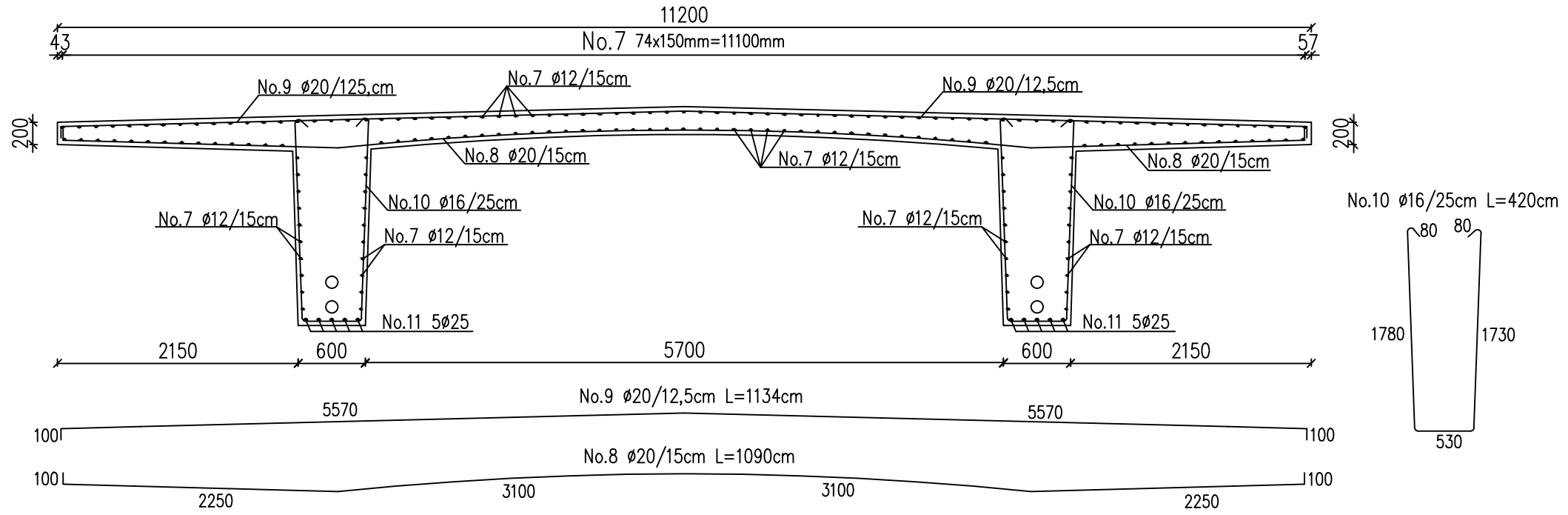
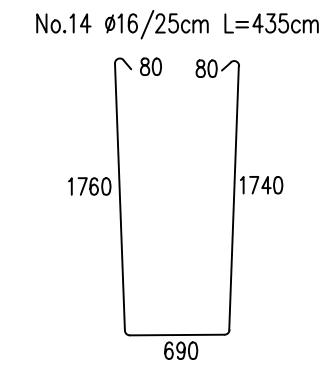
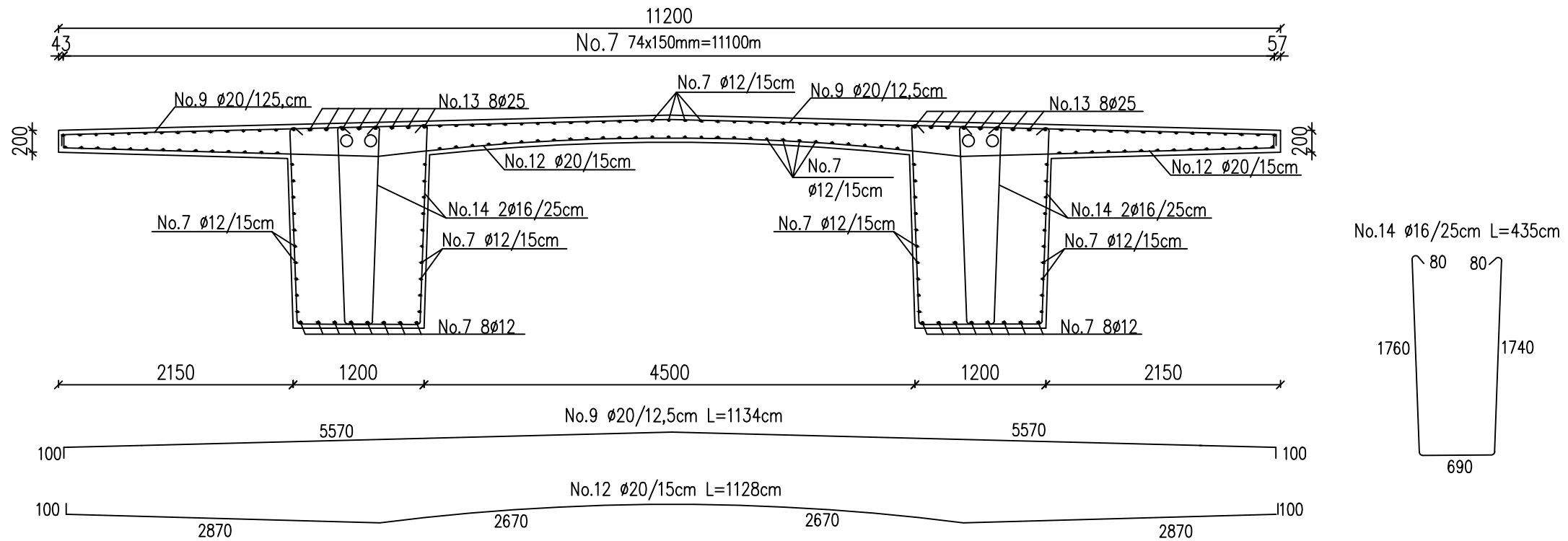


REINFORCEMENT IN MID SPAN CROSS SECTION
1:50



REINFORCEMENT IN SUPPORT CROSS SECTION
1:50



| | | | |
|-----------------------|------------------------|---|------------------|
| | | CIVIL ENGINEERING DEPARTMENT BRIDGES | Master degree |
| N° | NAME: | PRELIMINARY DESIGN OF A VIADUCT | |
| 43159 | MARCIN ANDRZEJEWSKI | REINFORCEMENT OF THE DECK | |
| SCALES: AS INDICATED | | DRAWING N° | |
| YEAR 15/16 - 2nd SEM. | | 8 | |