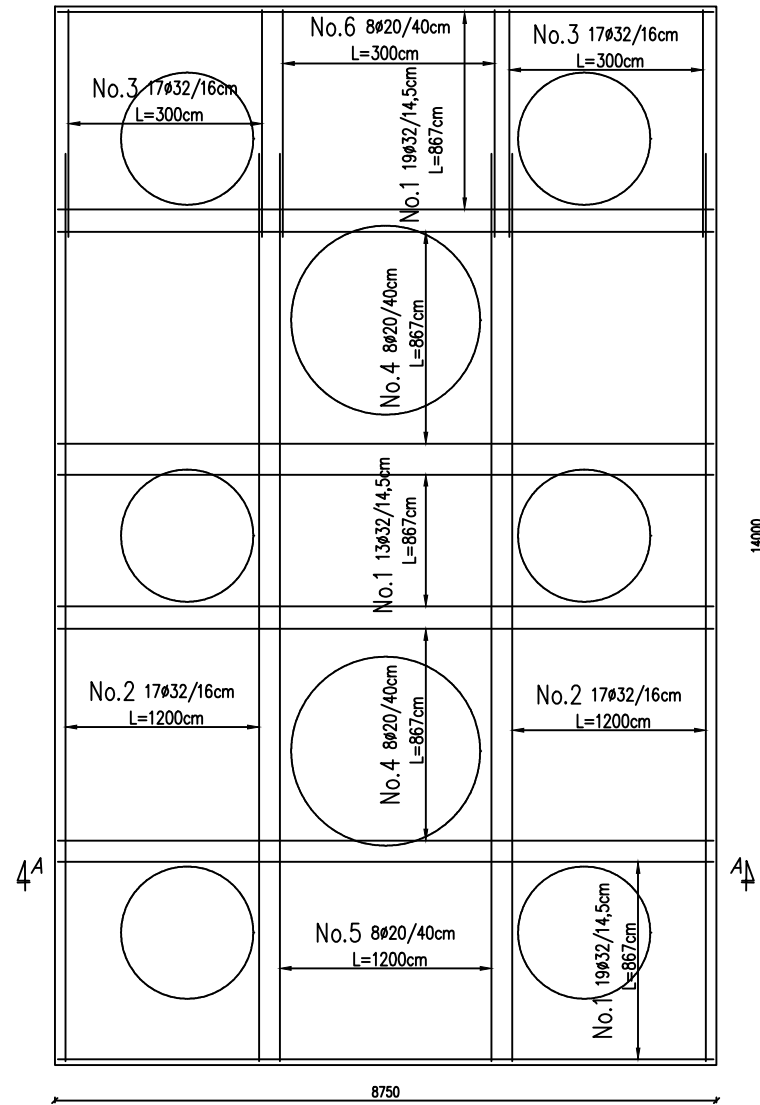
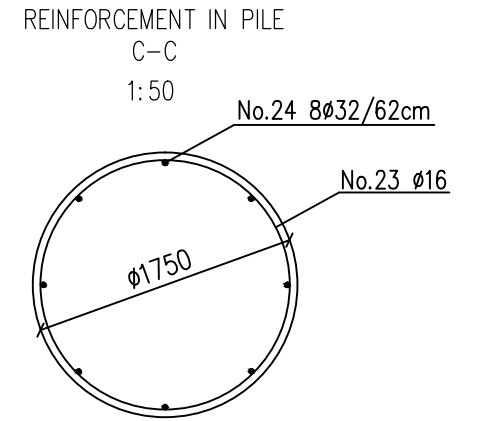
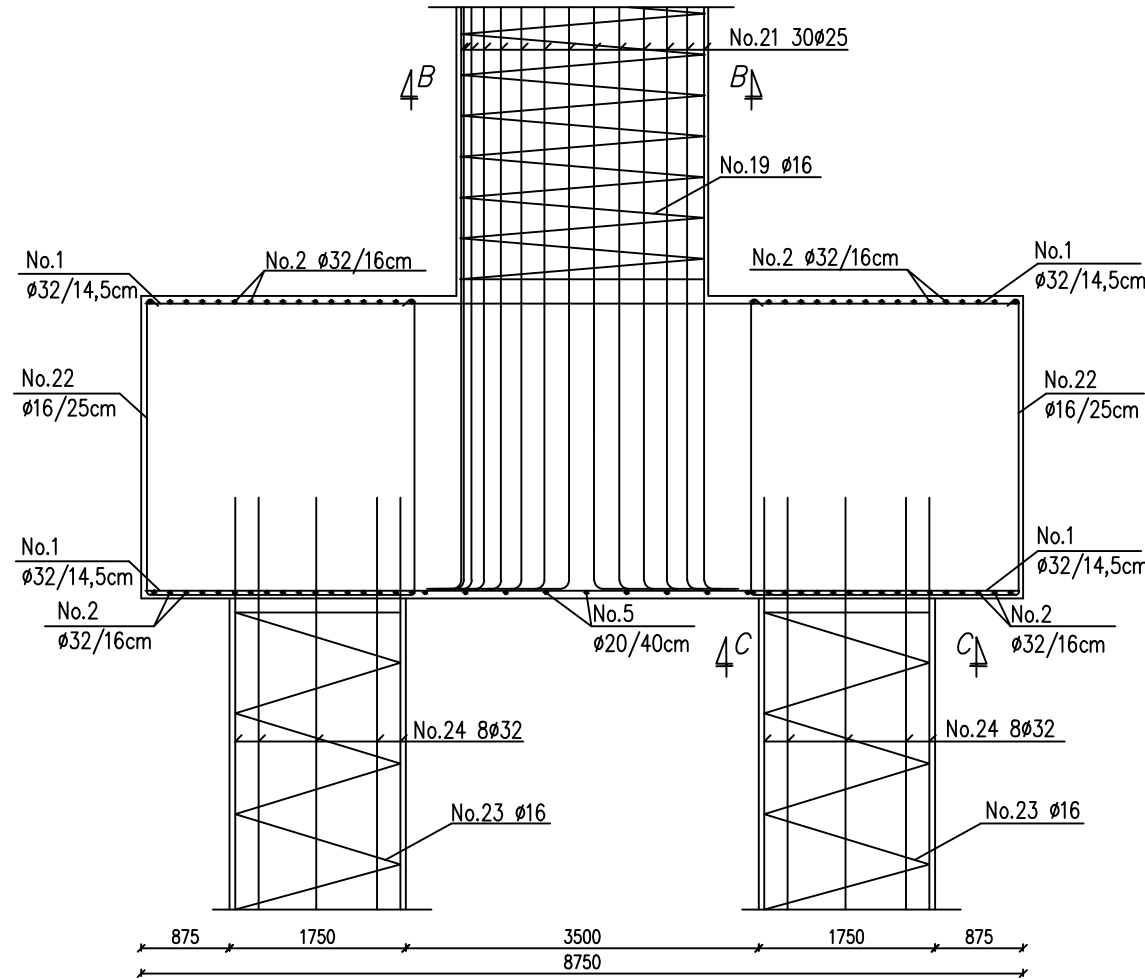


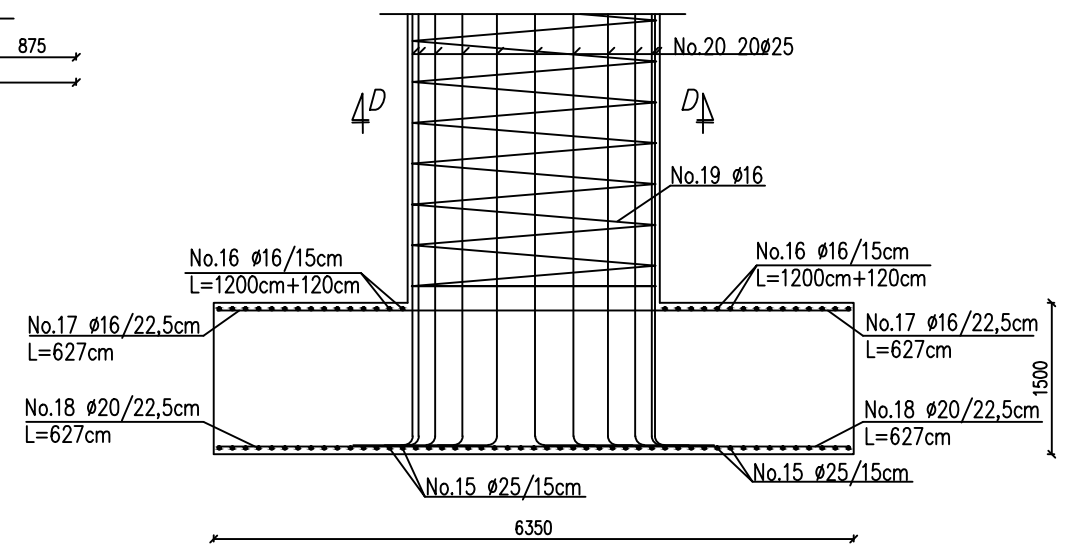
REINFORCEMENT IN MOST LOADED PILE CAP - P6
PLAN VIEW
1:100



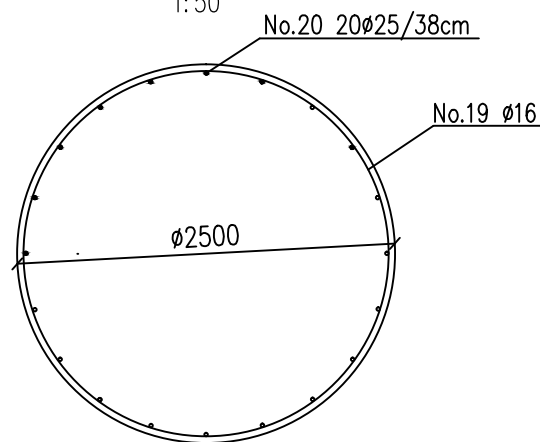
REINFORCEMENT IN MOST LOADED PILE CAP - P6
A-A
1:75



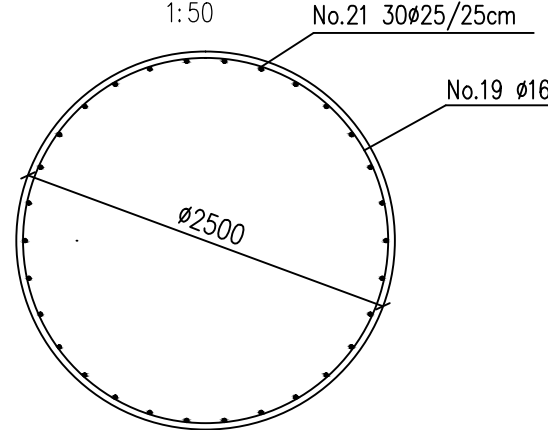
REINFORCEMENT IN MOST LOADED SPREAD FOUNDATION - P9
1:75



REINFORCEMENT IN PIER
D-D
1:50



REINFORCEMENT IN PIER
B-B
1:50



		CIVIL ENGINEERING DEPARTMENT BRIDGES	Master degree
N°	NAME:	PRELIMINARY DESIGN OF A VIADUCT	
43159	MARCIN ANDRZEJEWSKI	REINFORCEMENT OF PILE CAPS AND FOUNDATIONS	
SCALES: AS INDICATED		DRAWING N°	
YEAR 15/16 - 2nd SEM.		7	