

**Engineering data**

- [VFL 24X-48X](#)
- [VFL 72X-96X](#)
- [Sound attenuation HS](#)
- [Sound attenuation HD](#)
- [Sound attenuation VS](#)

**REMARK:** Do not use for construction. Refer to factory certified dimensions & weights. This page includes data current at time of publication, which should be reconfirmed at the time of purchase. In the interest of product improvements, specifications, weights and dimensions are subject to change without notice.

**General notes**

1. All location dimensions for coil connections are approximate and should not be used for prefabrication of connection piping.
2. If discharge hoods with positive closure dampers are furnished, see table in section Engineering Data Straight Discharge Hood with PCD for added weight and height.
3. For external static pressure up to 125 Pa use next larger motor size.
4. For indoor applications of fluid coolers, the room may be used as a plenum with ductwork attached to the discharge only. If inlet ductwork is required, an enclosed fan section must be specified; consult your BAC Balticare representative for details.
5. Fan cycling results only in on-off operation. For additional steps of control, two-speed fan motors are available. More precise

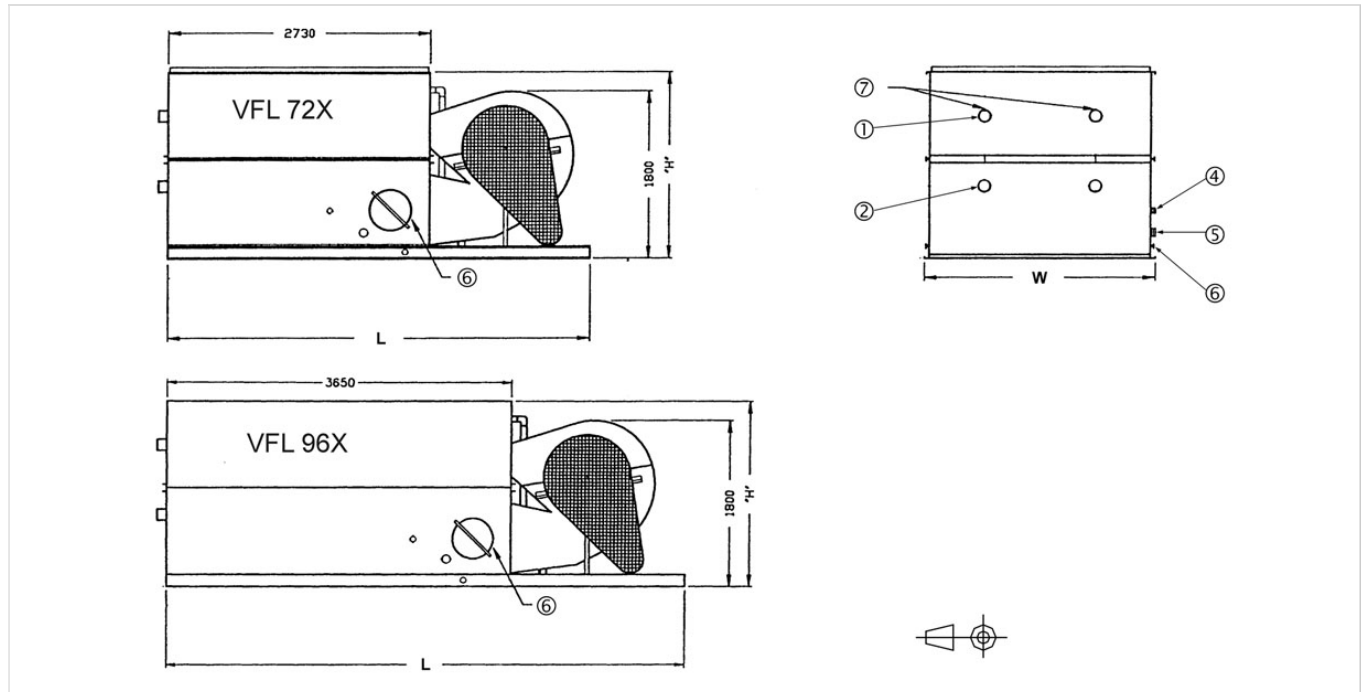
capacity control can be obtained with modulation fan discharge dampers or a BALTIGUARD® Drive System.

6. Make up, overflow, suction, drain connection and access door can be provided on side opposite to that shown; consult your BAC Balticare representative.

7. Shipping/operating weights indicated are for units without accessories such as sound attenuators, discharge hoods, plume abatement coils, etc. Consult factory certified prints to obtain weight additions and the heaviest section to be lifted.

**Last update: 05 March 2012**

**VFL 72X-96X**



1. Fluid in ND100; 2. Fluid out ND100; 3. Access door; 4. Make up ND40; 5. Overflow ND80; 6. Drain ND50; 7. Vent ND15.

Model	Weights (kg)			Dimensions (mm)				Air Flow (m³/s)	Fan Motor (kW)	Water Flow (l/s)	Pump Motor (kW)	Coil Volume (L)
	Oper. Weight (kg)	Ship. Weight (kg)	Heaviest Section (kg)	L1	L2	W	H					
VFL 721-L	5150	3150	3150	4560	2730	2400	1855	20.0	(1x) 11.0	17.9	(1x) 1.1	(2x) 258
VFL 721-M	5160	3160	3160	4560	2730	2400	1855	21.8	(1x) 15.0	17.9	(1x) 1.1	(2x) 258
VFL 721-O	5190	3190	3190	4560	2730	2400	1855	24.6	(1x) 22.0	17.9	(1x) 1.1	(2x) 258
VFL 722-N	5880	3700	3700	4560	2730	2400	2090	22.8	(1x) 18.5	17.9	(1x) 1.1	(2x) 338
VFL 722-O	5900	3720	3720	4560	2730	2400	2090	24.0	(1x) 22.0	17.9	(1x) 1.1	(2x) 338
VFL 723-L	6610	4210	4210	4560	2730	2400	2350	19.3	(1x) 11.0	17.9	(1x) 1.1	(2x) 418
VFL 723-O	6650	4250	4250	4560	2730	2400	2350	23.4	(1x) 22.0	17.9	(1x) 1.1	(2x) 418
VFL 724-O	7320	4790	4790	4560	2730	2400	2560	22.9	(1x) 22.0	17.9	(1x) 1.1	(2x) 498
VFL 961-P	6520	3850	3850	5480	3650	2400	1855	28.7	(1x) 30.0	24.2	(1x) 2.2	(2x) 341
VFL 962-N	7285	4360	4360	5480	3650	2400	2090	24.5	(1x) 18.5	24.2	(1x) 2.2	(2x) 448
VFL 962-O	7310	4400	4400	5480	3650	2400	2090	25.9	(1x) 22.0	24.2	(1x) 2.2	(2x) 448

VFL 72X-96X | BAC

VFL 962-P	7400	4500	4500	5480	3650	2400	2090	28.3	(1x) 30.0	24.2	(1x) 2.2	(2x) 448
VFL 963-O	8210	5060	5080	5480	3650	2400	2350	25.6	(1x) 22.0	24.2	(1x) 2.2	(2x) 556
VFL 963-P	8310	5160	5160	5480	3650	2400	2350	27.9	(1x) 30.0	24.2	(1x) 2.2	(2x) 556
VFL 964-P	9300	5810	5810	5480	3650	2400	2560	27.4	(1x) 30.0	24.2	(1x) 2.2	(2x) 664

© Baltimore Aircoil - all rights reserved